

MAXIMUM FREEDOM

THE DALLTON-SERIES

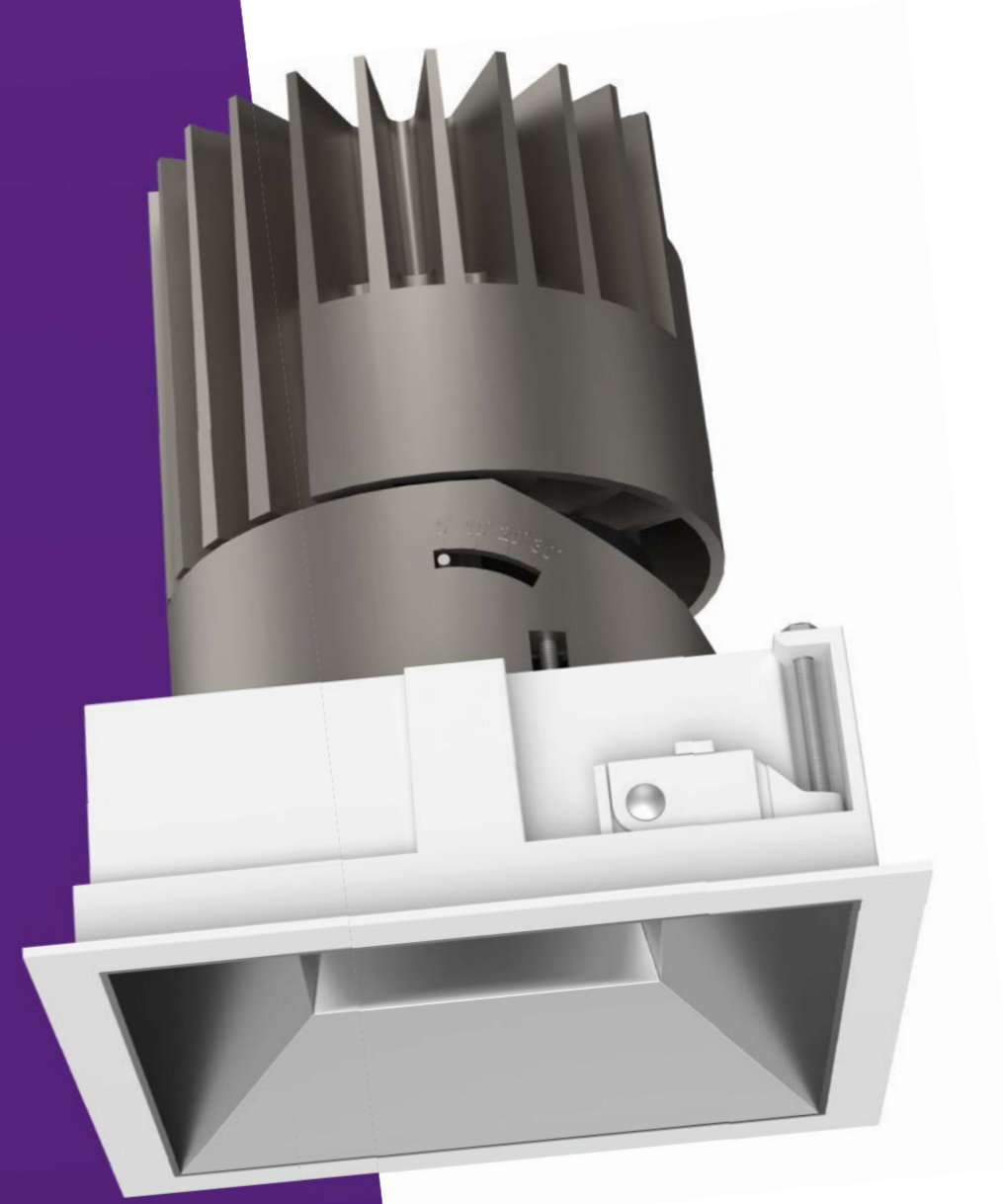
LTS-LIGHT.COM



LTS
LOVE TO SHINE

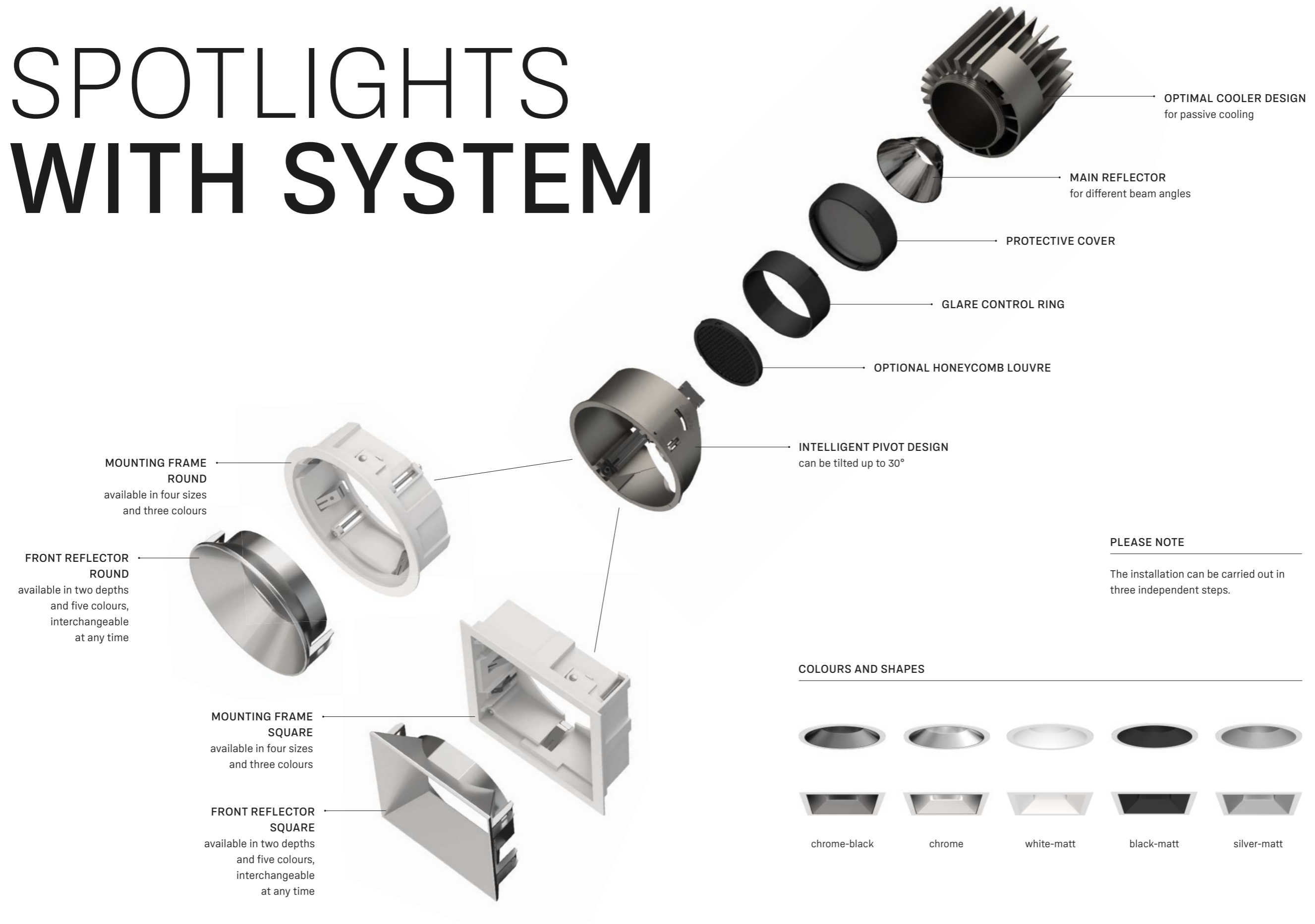
MODULAR VARIETY

INDIVIDUAL SOLUTIONS AND
MAXIMUM DESIGN FREEDOM



The focus of the new spotlight series is their modular character. Dallton is available in four sizes. A variety of solutions can be achieved by combining installation frames and front reflectors in different shapes and colours.

SPOTLIGHTS WITH SYSTEM



MOUNTING FRAME ROUND
available in four sizes and three colours

FRONT REFLECTOR ROUND
available in two depths and five colours, interchangeable at any time

MOUNTING FRAME SQUARE
available in four sizes and three colours

FRONT REFLECTOR SQUARE
available in two depths and five colours, interchangeable at any time

INTELLIGENT PIVOT DESIGN
can be tilted up to 30°

OPTIONAL HONEYCOMB LOUVRE

GLARE CONTROL RING

PROTECTIVE COVER

MAIN REFLECTOR
for different beam angles

OPTIMAL COOLER DESIGN
for passive cooling

PLEASE NOTE

The installation can be carried out in three independent steps.

COLOURS AND SHAPES



chrome-black

chrome

white-matt

black-matt

silver-matt

LIGHT IN ACTION

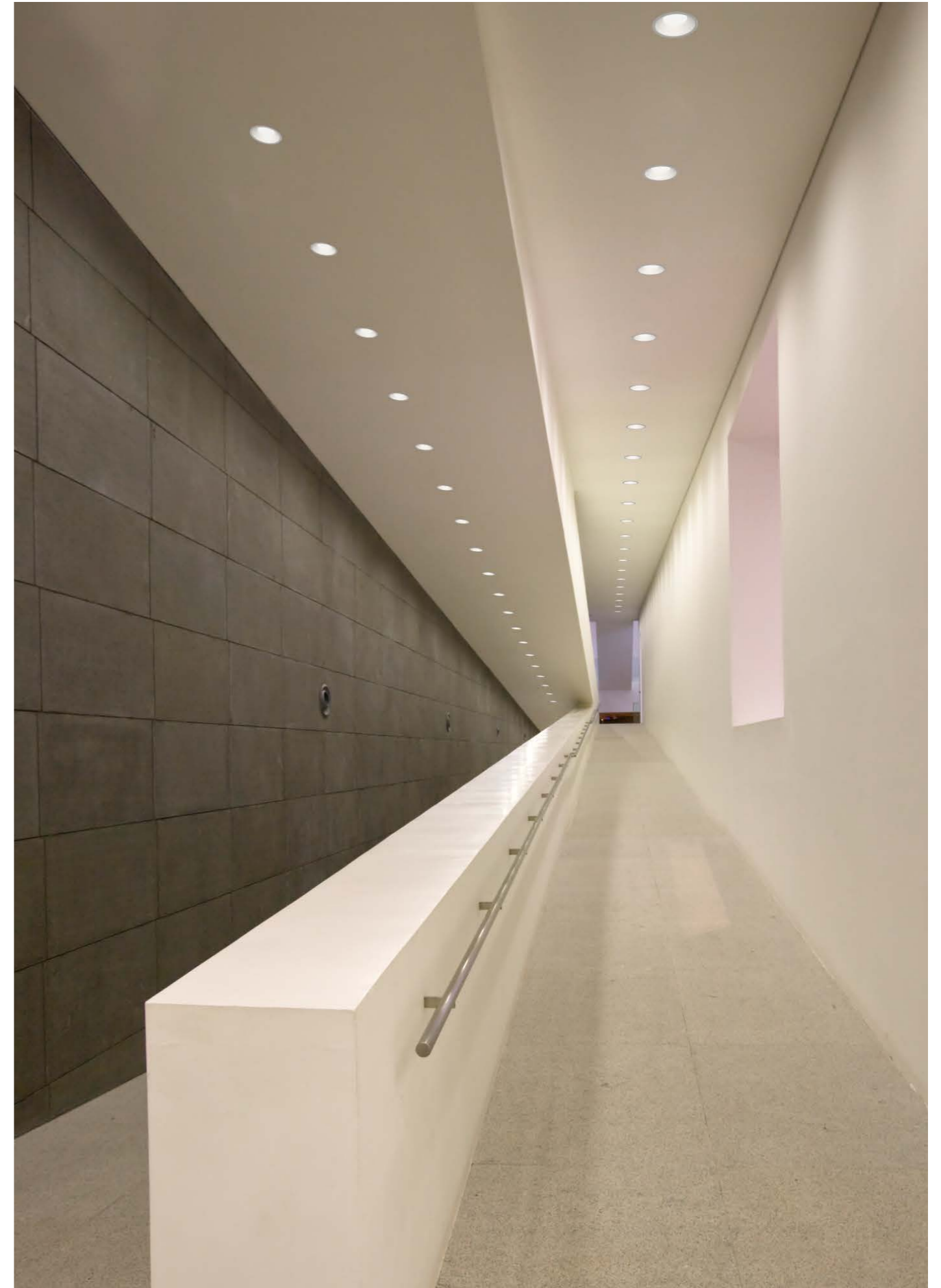
APPLICATION 01

Dallton Small Trimless Round
with front reflectors in chrome.





APPLICATION 02
Dallton Medium Standard Square in silver
with silver front reflectors.



APPLICATION 03
Dallton Large Standard Round in silver
with white front reflectors.



APPLICATION 04
Dallton XSmall Standard Square in black
with front reflectors in chrome-black.



Elegantly round or distinctively angular frames in black, silver or white give the recessed installations a visual stability. Front reflectors are also available in two shapes and depths and in five colours (black-matt, chrome, chrome-black, silver-matt or white-matt). Additional wallwasher attachments provide for a three-dimensional interplay of light and shadow.

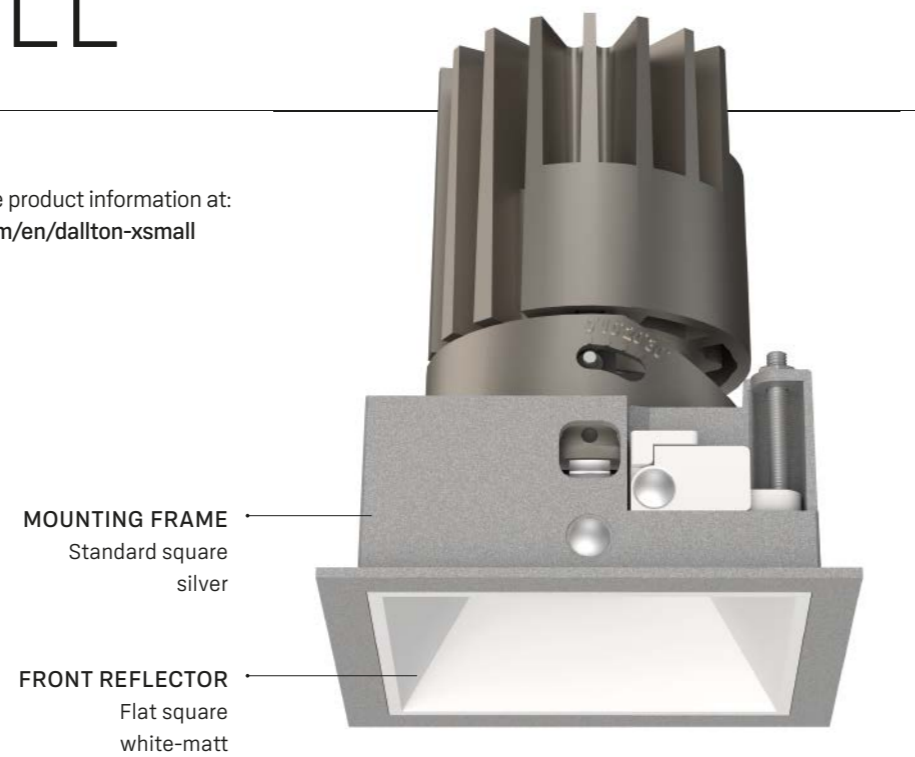


The product range also includes the frameless variants. Three colour temperatures from 2700 K to 4000 K and the DALI option complete the package.

DALLTON XSMALL



You can find more product information at:
www.lts-light.com/en/dallton-xsmall



MOUNTING FRAMES



Standard round
DAL-XS-ESR 20



Standard square
DAL-XS-ESQ 10



Trimless round**
DAL-XS-RFR 20



Trimless square**
DAL-XS-ETQ 10

COLOURS



FRONT REFLECTORS



Flat round
DAL-XS-RFR 20



Flat square
DAL-XS-RFQ 10

COLOURS



ACCESSORIES



Honeycomb louvre

** exclusively available in white

TECHNICAL DETAILS

BEAM ANGLE
24°, 40°, 55°

COLOUR TEMPERATURE
2700 K, 3000 K, 4000 K

SYSTEM POWER
11 W, 15 W

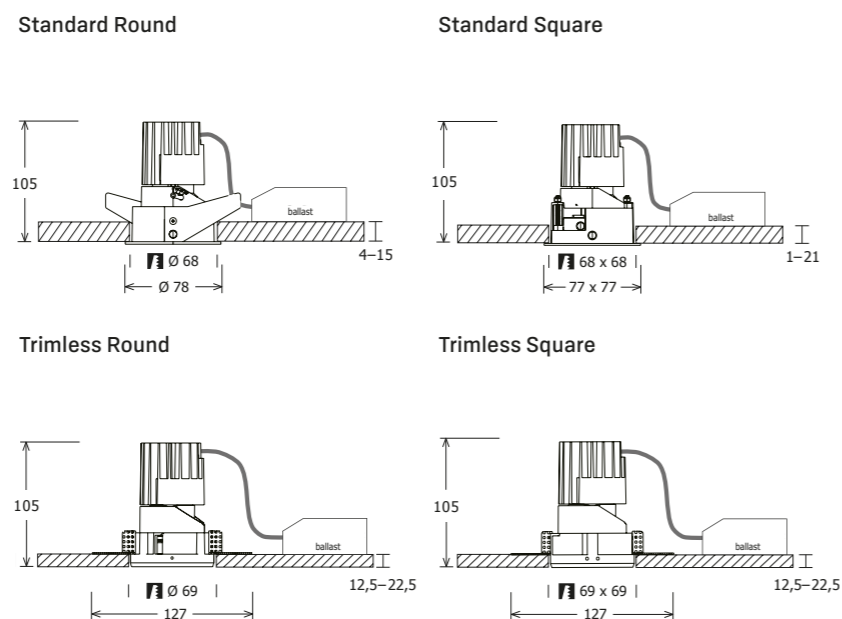
LUMINOUS FLUX*
810 lm, 1050 lm

SYSTEM EFFICIENCY*
73,6 lm/W, 70 lm/W

CONTROLS
DALI

* for Standard Round in combination with the flat round front reflector in chrome and a lighting head with a colour temperature of 4000 K and beam angle of 40°

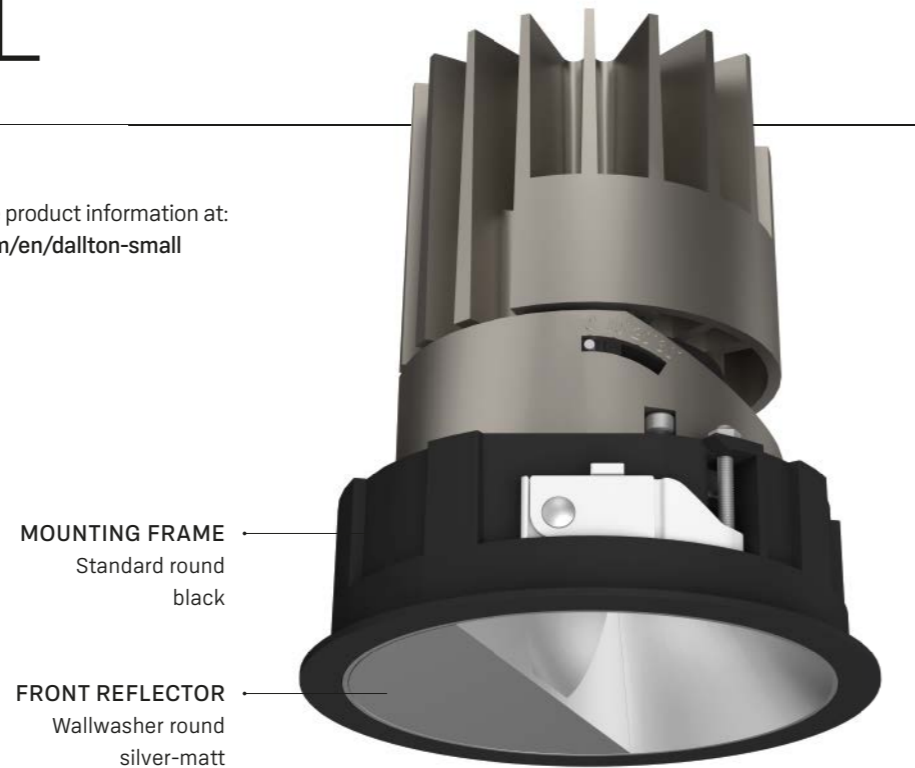
MEASUREMENTS



DALLTON SMALL



You can find more product information at:
www.lts-light.com/en/dallton-small



MOUNTING FRAMES



Standard round
DAL-S-ESR 21



Standard square
DAL-S-ESQ 11



Trimless round**
DAL-S-ETR 21



Standard square**
DAL-S-ETQ 11

COLOURS

- white
- black
- silver

FRONT REFLECTORS



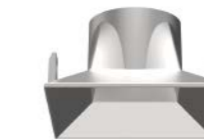
Flat round
DAL-S-RFR 21



Flat square
DAL-S-RFQ 11



Deep round
DAL-S-RTR 21



Deep square
DAL-S-RTQ 11



Wallwasher round***
DAL-S-RWR 21



Wallwasher square***
DAL-S-RWQ 11

COLOURS

- white-matt
- black-matt
- silver-matt
- chrome
- chrome-black

TECHNICAL DETAILS

BEAM ANGLE
20°, 40°, 50°

COLOUR TEMPERATURE
3000 K, 4000 K

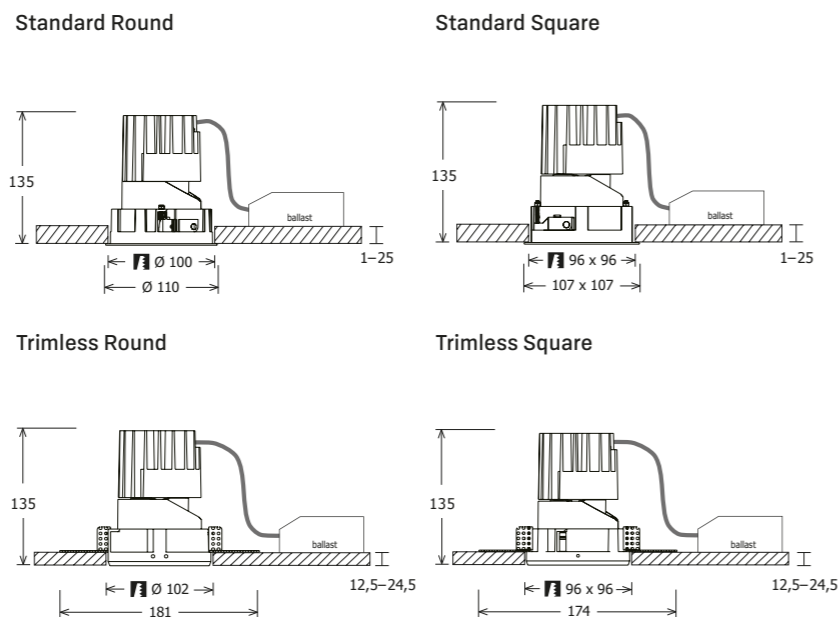
SYSTEM POWER
15 W, 22 W

LUMINOUS FLUX*
1120 lm, 1450 lm

SYSTEM EFFICIENCY*
74,7 lm/W, 65,9 lm/W

CONTROLS
DALI

MEASUREMENTS



ACCESSORIES



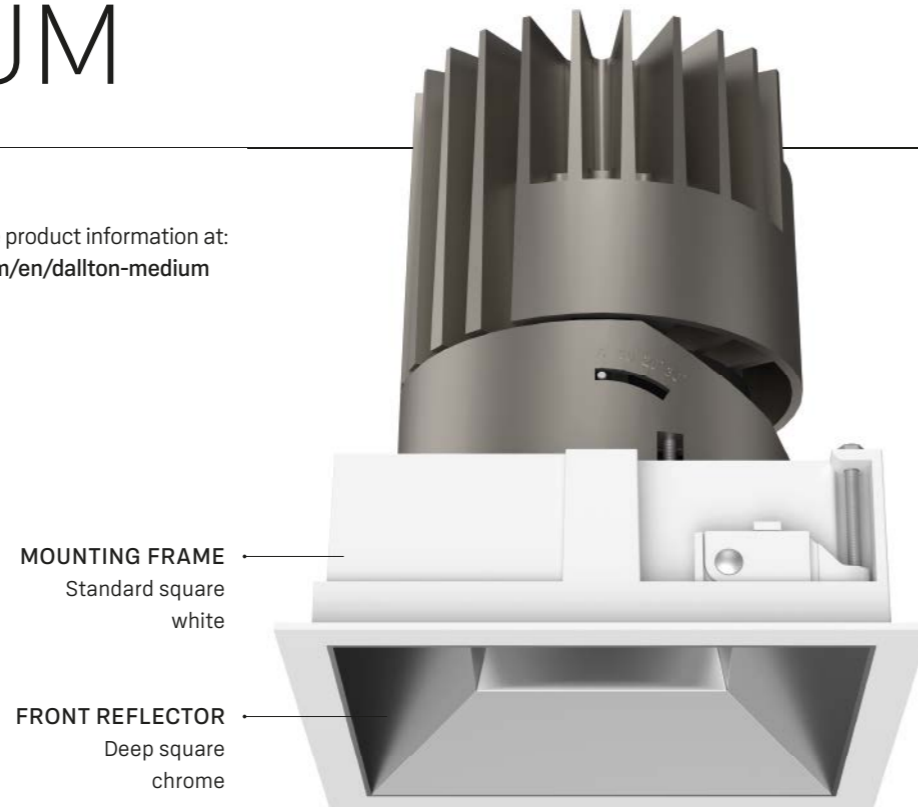
Honeycomb louvre

** exclusively available in white *** exclusively available in silver-matt

DALLTON MEDIUM



You can find more product information at:
www.lts-light.com/en/dallton-medium



MOUNTING FRAMES



Standard round
DAL-M-ESR 22



Standard square
DAL-M-ESQ 12



Trimless round**
DAL-M-ETR 22



Trimless square**
DAL-M-ETQ 12

COLOURS

- white
- black
- silver

FRONT REFLECTORS



Flat round
DAL-M-RFR 22



Flat square
DAL-M-RFQ 12



Deep round
DAL-M-RTR 22



Deep square
DAL-M-RTQ 12



Wallwasher round***
DAL-M-RWR 22



Wallwasher square***
DAL-M-RWQ 12

COLOURS

- white-matt
- black-matt
- silver-matt
- chrome
- chrome-black

TECHNICAL DETAILS

BEAM ANGLE
20°, 40°, 50°

COLOUR TEMPERATURE
3000 K, 4000 K

SYSTEM POWER
21 W, 28 W

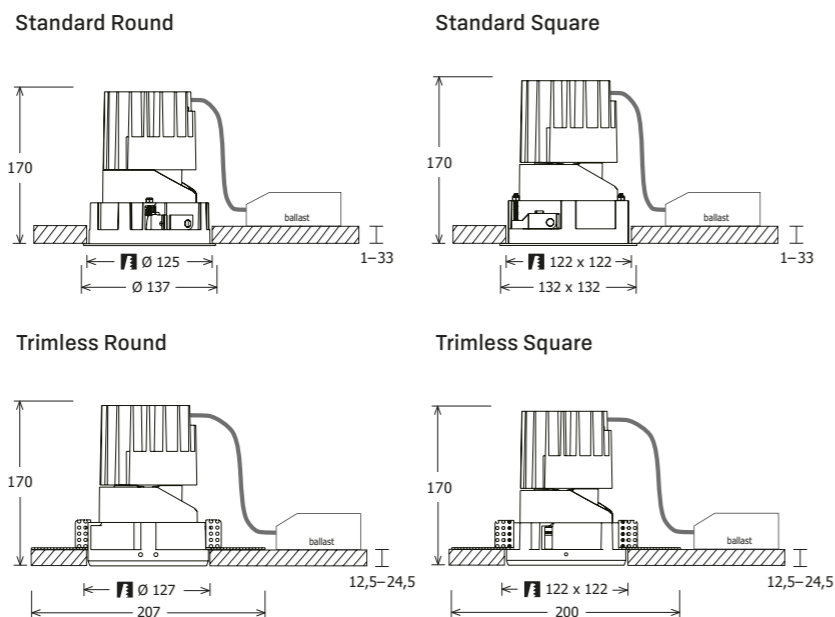
LUMINOUS FLUX*
1600 lm, 2150 lm

SYSTEM EFFICIENCY*
76,2 lm/W, 76,8 lm/W

CONTROLS
DALI

* for Standard Round in combination with the flat round front reflector in chrome and a lighting head with a colour temperature of 4000 K and beam angle of 40°

MEASUREMENTS



ACCESSORIES



Honeycomb louvre

** exclusively available in white *** exclusively available in silver-matt

DALLTON LARGE



You can find more product information at:
www.lts-light.com/en/dallton-large



MOUNTING FRAMES



Standard round
DAL-L-ESR 23



Standard square
DAL-L-ESQ 13



Trimless round**
DAL-L-ETR 23



Trimless square**
DAL-L-ETQ 13

COLOURS



FRONT REFLECTORS



Flat round
DAL-L-RFR 23



Flat square
DAL-L-RFQ 13



Deep round
DAL-L-RTR 23



Deep square
DAL-L-RTQ 13



Wallwasher round***
DAL-L-RWR 23



Wallwasher square***
DAL-L-RWQ 13

COLOURS

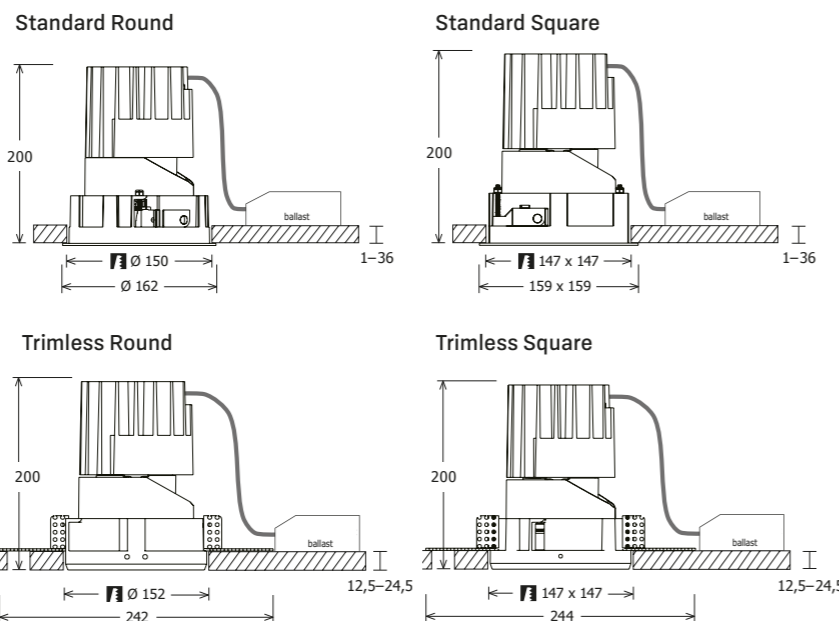


TECHNICAL DETAILS

BEAM ANGLE
20°, 35°, 50°
COLOUR TEMPERATURE
3000 K, 4000 K
SYSTEM POWER
28 W, 43 W
LUMINOUS FLUX*
2050 lm, 3080 lm
SYSTEM EFFICIENCY*
73,2 lm/W, 71,6 lm/W
CONTROLS
DALI

* for Standard Round in combination with the flat round front reflector in chrome and a lighting head with a colour temperature of 4000 K and beam angle of 35°

MEASUREMENTS



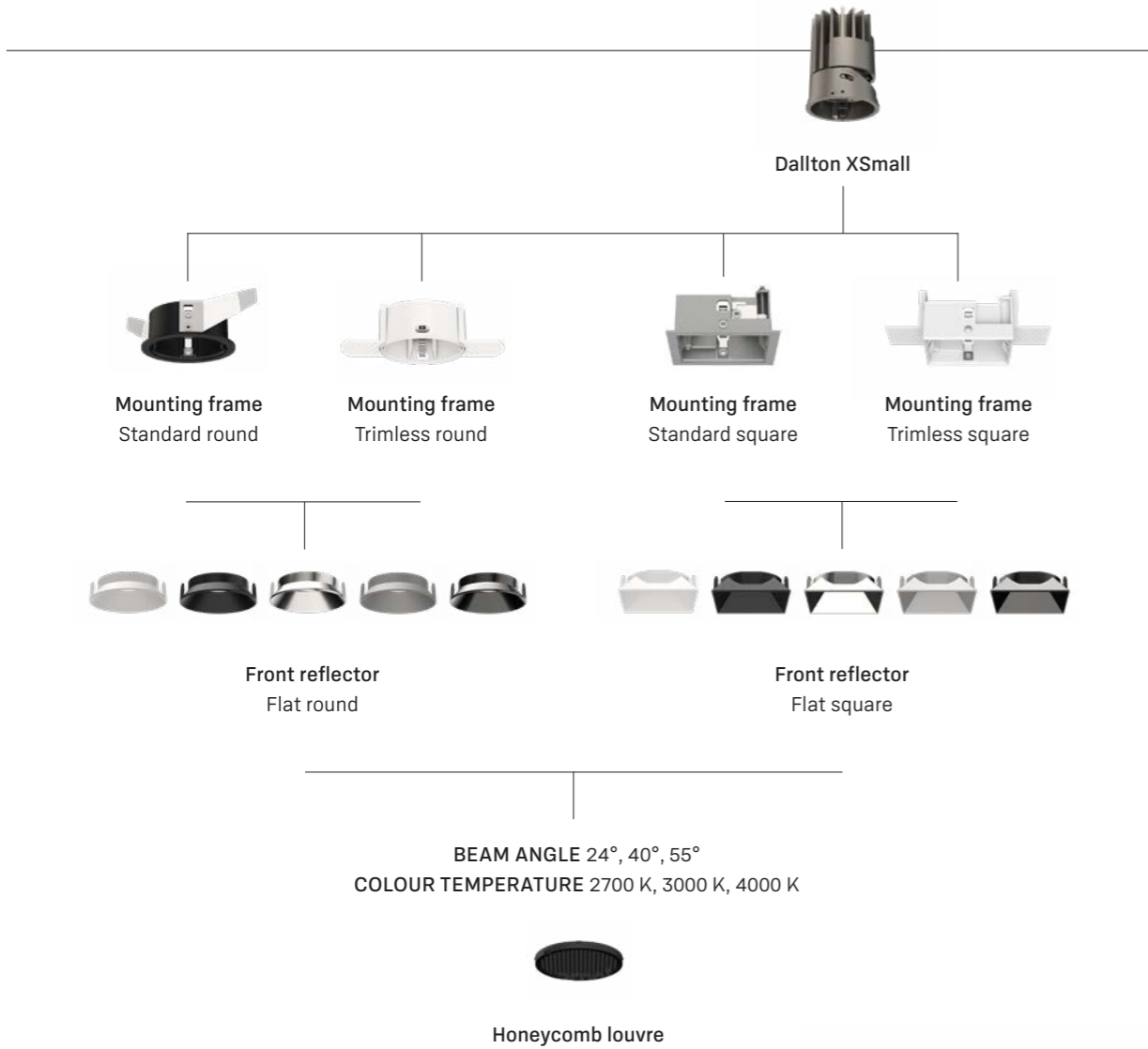
ACCESSORIES



Honeycomb louvre

** exclusively available in white *** exclusively available in silver-matt

FLEXIBLE DESIGN

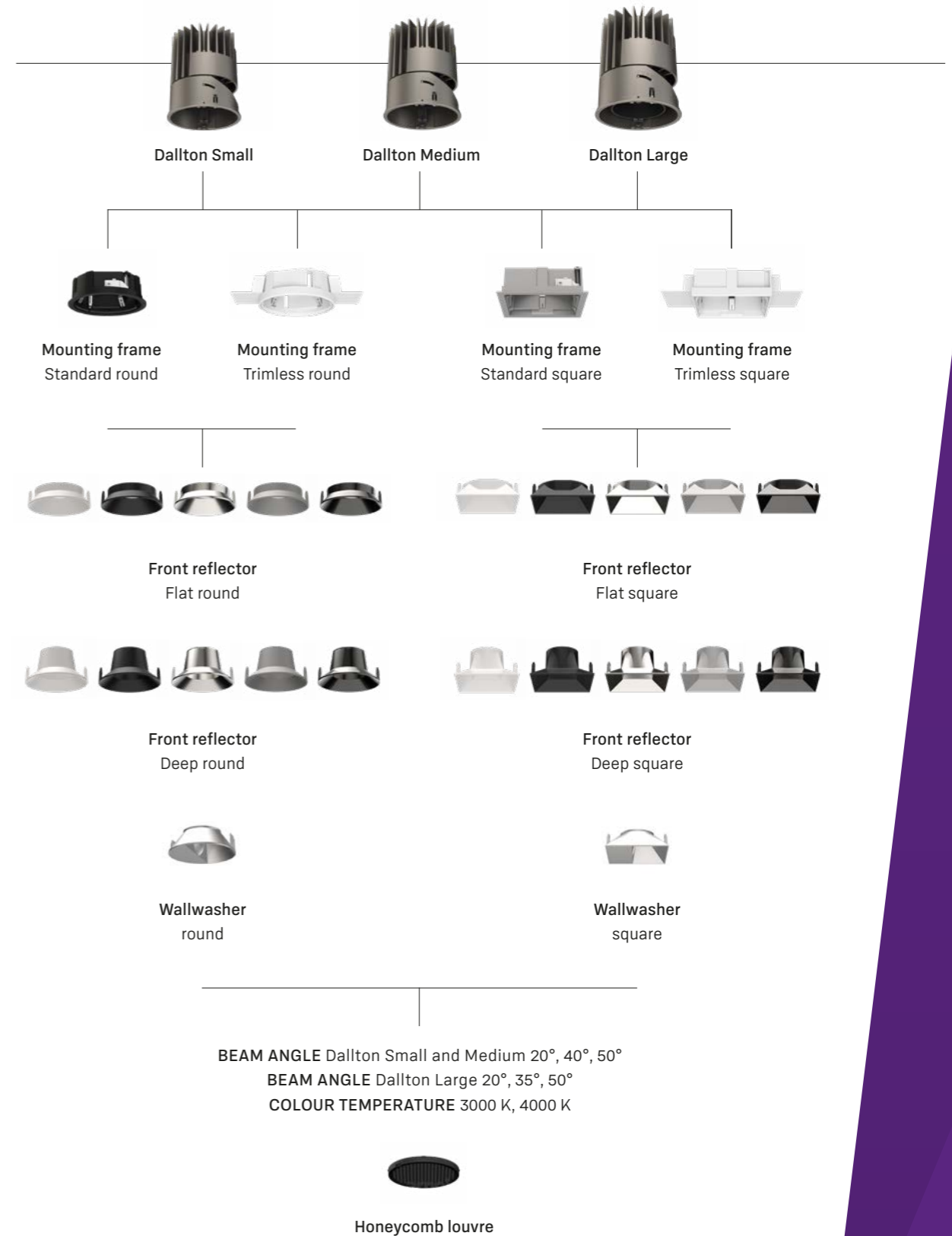


ONLINE CONFIGURATOR

It's easy with our configurator. It delivers the perfect result, fully meeting requirements, and also complying with the appropriate specification documents, data sheets and other data for lighting design.



Configure online now:
app.lts-light.com/lichtsystem-en



LTS Licht & Leuchten GmbH
Waldesch 24
88069 Tettwang
Germany

T +49 7542 9307-0
info@lts-light.com
lts-light.com

A MEMBER OF THE FAGERHULT GROUP